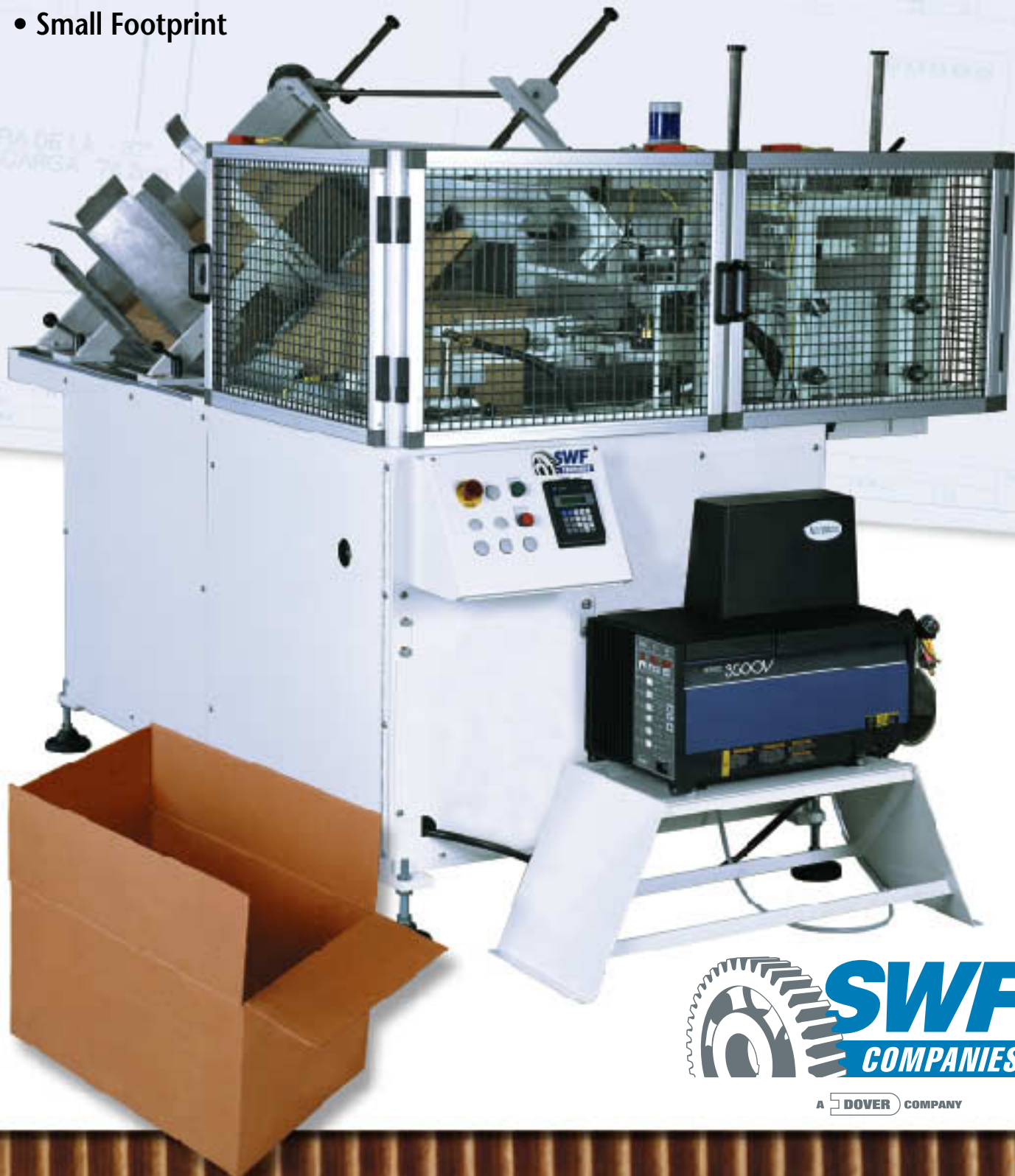


CE 151 CASE ERECTOR

High Speed, Automatic Case Erector/Bottom Flap Sealer

- Up to 45 Cases Per Minute
- Heavy-Duty Construction
- Small Footprint
- Allen Bradley Micrologix PLC
- Fully Automatic Interlocked Safety Doors



SWF
COMPANIES

A DOVER COMPANY

CE 151 CASE ERECTOR

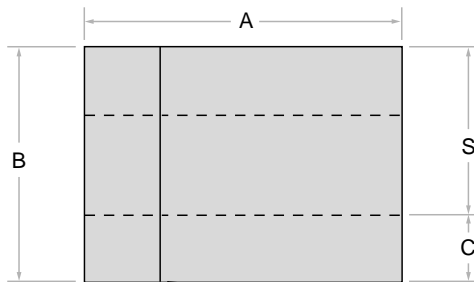
Standard Features:

- Erects RSC & HSC Style Cases
- Nordson Hot Melt System
- Easy Load Hopper
- Multiple Case Size Capability
- Handles Treated and Coated Corrugated Materials
- Quick Changeover
- Programmable Logic Controller

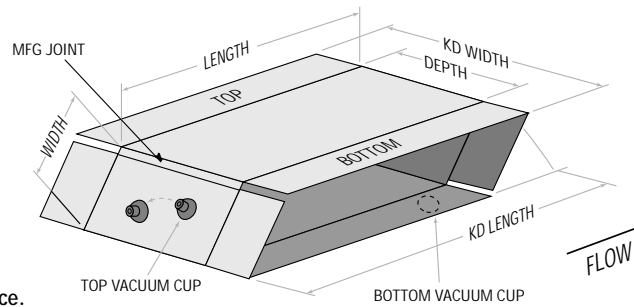
Available Options:

- High Capacity Powered Hoppers
6' hopper capacity - 270 C-Flute
10' hopper capacity - 390 C-Flute
15' hopper capacity - 540 C-Flute
- Automatic Idler-Output Control
- Steel Casters (convenient portability)
- Variable Speed Motors
- Water Resistant Packages
- Custom Colors Available
- On Demand Stop-Start

CASE SPECIFICATIONS



151 Case Size Ranges				
Set up:	Standard Min.	Standard Max.	XL Min.	XL Max.
Length	8" (20.32cm)	22.5" (57.15cm)	16" (40.6cm)	26" (66.0cm)
Width	5" (12.7cm)	14" (35.6cm)	10" (25.4cm)	14" (35.6cm)
Depth	5" (12.7cm)	15" (38.1cm)	10" (25.4cm)	18" (45.7cm)
Knocked Down				
A dimension	13" (33.02cm)	34" (86.4cm)	22" (55.9cm)	40" (101.6cm)
B dimension	11" (27.9cm)	24" (61.0cm)	11" (27.9cm)	30" (76.2cm)
S (depth + top flaps)	8" (20.3cm)	19" (48.3cm)	15" (38.1cm)	23" (58.4cm)
C (flaps to be glued)	3" (7.6cm)	6" (15.2cm)	5" (12.7cm)	9" (22.9cm)



Note: Specifications subject to change without notice.

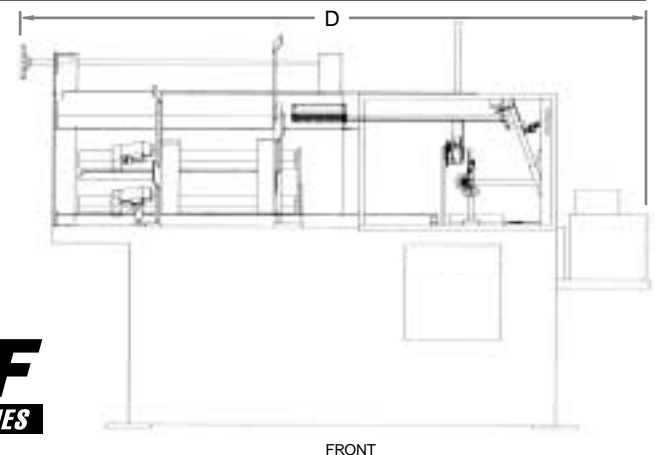
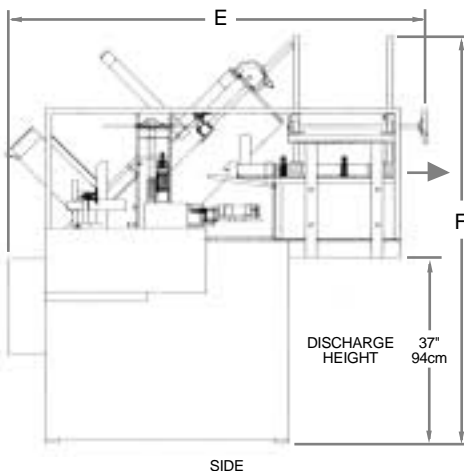
MACHINERY SPECIFICATIONS

Utilities Required:

Electrical: 230, 3 Phase, 60 hertz @ 30 amps

Air: 30 CFM @ 80 PSI

Available Frame Sizes		
Specifications:	Standard	XL
D: Machine Length	112" (284.5cm)	128" (325.1cm)
E: Width	76" (193.0cm)	82" (208.3cm)
F: Height	72" (182.9cm)	72" (182.9cm)



1050 Miller Drive • Altamonte Springs, Florida 32701
 Phone: (407) 260-0330 • Fax: (407) 260-7096 • Toll Free USA: (800) 214-1565
 E-mail: sales@swfsoutheast.com • Web Site: www.swfcompanies.com

