

# APPLICATION & DESIGN

## Bulletin



Volume V, Issue 2

February 2005

### *QUICK FACTS*

- **Solution:** CL 100/OS 500
- **Speed:** 90 cartons per minute (for all case/tray sizes)
- **Industry:** Prepared foods/pasta
- **Application:** Case and tray packing of cartons containing pasta shells & cheese
- **Other Applications:** Cereal, frozen foods, cartons of tissue, crackers, cookies, etc.

### **PRIMARY PACKAGING**

SWF Companies—Tisma Division  
1099 Estes Ave.  
Elk Grove Village, IL 60007

Phone: 847-427-9525  
Fax: 847-427-9550

### **SECONDARY PACKAGING**

SWF Companies  
1949 E. Manning Avenue  
P. O. Box 548  
Reedley, CA 93654

Phone: 559-638-8484  
Fax: 559-638-7478

### **ROBOTICS**

SWF Companies—GSMA Division  
2730 Kirby Ave., NE Building #5  
Palm Bay, FL 32905

Phone: 321-728-3800  
Fax: 321-728-5555

[info@swfcompanies.com](mailto:info@swfcompanies.com)  
[www.swfcompanies.com](http://www.swfcompanies.com)

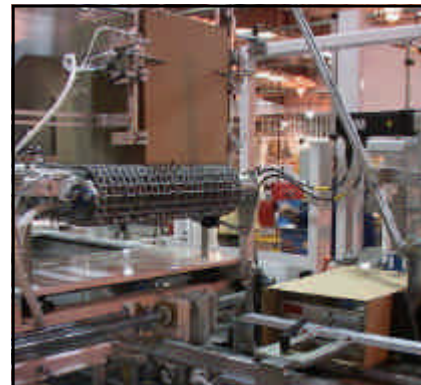
## Packer Accommodates Both RSC Cases and Display Trays

Flexibility....a key if you are an Olympic gymnast, but also a much needed feature required of today's packaging machinery.

The days of single-function, dedicated packaging machines has long passed us by. Today's food processors and other consumer goods producers mandate that their packaging machines accommodate multiple products, package styles and sizes. Accomplished, no less, with simple changeovers and minimal equipment downtime.

For one leading domestic pasta/prepared foods producer, their flexibility requirements (with regards to case/tray packing) were met with SWF Companies' CL 100/OS 500 fully automatic case opener, loader and sealer.

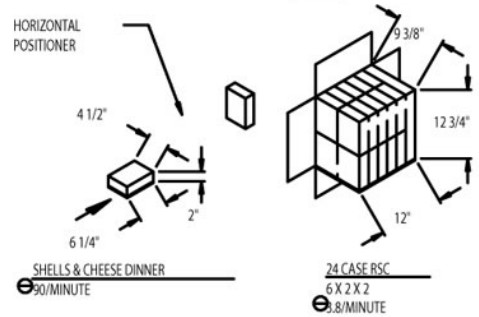
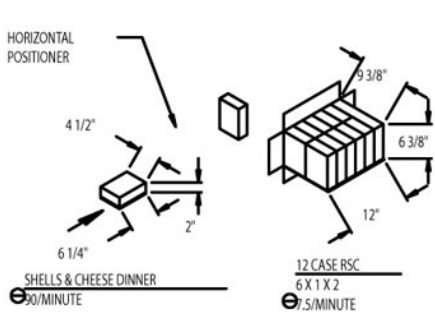
Packing cartons of pasta shells & cheese dinners, SWF's CL 100/OS 500 case/tray packer accommodates both RSC cases and full height display trays. Operating at speeds up to 90 cartons per minute (for all package styles), this system runs 12 and 24 count RSC cases and display trays (see pack patterns on reverse side).



Modular in design and construction, the CL 100/OS 500 features scales and pointers at all change-over locations, to help facilitate faster changeovers. A starwheel positioner is also included to rotate the cartons from a flat position, to one where they are standing on end prior to packing.

# Innovative Packaging Automation

## Pack Patterns—Cases



## Pack Patterns—Trays

